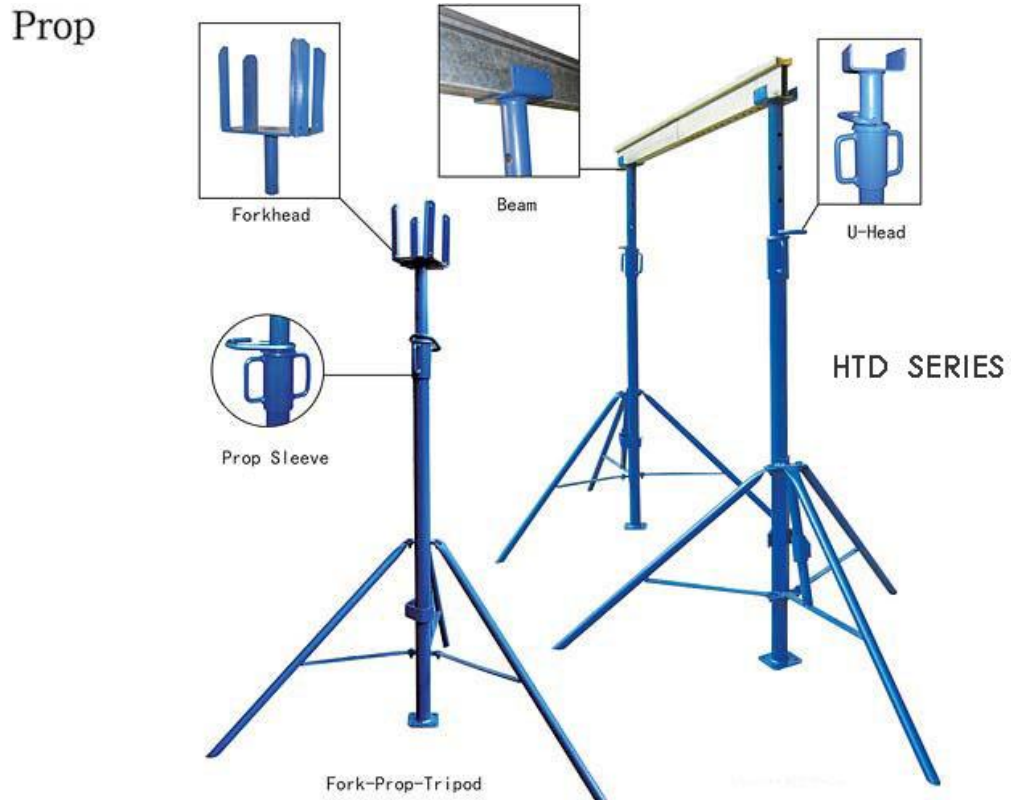

Formwork



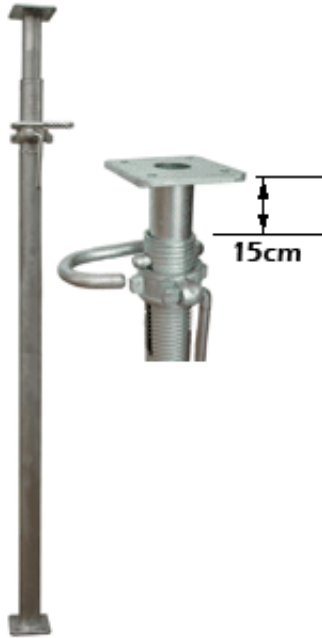
Formwork is temporary or permanent molds into which concrete or similar materials are poured. In the context of concrete construction, the falsework supports the shuttering molds.

Light Duty Prop



Item #	Adjustable Height	Tube	Unit Weight	Max Height Load
HTD080	0.50m - 0.80m	Outer tube: OD56.0 x 2.5mm ; Inner tube: OD48.0 x 2.5mm	5.6 kgs	20 KN
HTD182	1.07m - 1.82m	Outer tube: OD56.0 x 2.5mm ; Inner tube: OD48.0 x 2.5mm	9 kgs	20 KN
HTD290	1.60m - 2.90m	Outer tube: OD56.0 x 2.5mm ; Inner tube: OD48.0 x 2.5mm	12 kgs	18 KN
HTD312	1.75m - 3.12m	Outer tube: OD56.0 x 2.5mm ; Inner tube: OD48.0 x 2.5mm	13 kgs	18 KN
HTD335	1.98m - 3.35m	Outer tube: OD56.0 x 2.5mm ; Inner tube: OD48.0 x 2.5mm	14 kgs	17 KN
HTD350	2.00m - 3.50m	Outer tube: OD56.0 x 2.5mm ; Inner tube: OD48.0 x 2.5mm	14.3 kgs	16 KN
HTD355	2.29m - 3.55m	Outer tube: OD56.0 x 2.5mm ; Inner tube: OD48.0 x 2.5mm	14.8 kgs	16 KN
HTD395	2.59m - 3.95m	Outer tube: OD56.0 x 2.5mm ; Inner tube: OD48.0 x 2.5mm	15.5 kgs	14 KN
HTD472	2.60m - 4.72m	Outer tube: OD56.0 x 2.5mm ; Inner tube: OD48.0 x 2.5mm	18 kgs	12 KN
HTD478	3.20m - 4.78m	Outer tube: OD56.0 x 2.5mm ; Inner tube: OD48.0 x 2.5mm	18.3 kgs	12 KN

Medium & Heavy Duty Prop



Item #	Adjustable Height	Tube	Unit Weight	Max Height Load
HTA50	Prop 1.22m - 2.03m	Outer tube: OD60.3 x 2.0mm ; Inner tube: OD48.3 x 2.0mm	8.5 kgs	17 KN
HTA65	Prop 1.74m - 3.20m	Outer tube: OD60.3 x 2.0mm ; Inner tube: OD48.3 x 2.0mm	11.5 kgs	17 KN
HTA75	Prop 2.04m - 3.50m	Outer tube: OD60.3 x 2.0mm ; Inner tube: OD48.3 x 2.0mm	12.5 kgs	15 KN
HTA90	Prop 2.50m - 3.96m	Outer tube: OD60.3 x 2.0mm ; Inner tube: OD48.3 x 2.0mm	13.6 kgs	15 KN
HTB50	Prop 1.22m - 2.03m	Outer tube: OD60.3 x 2.5mm ; Inner tube: OD48.3 x 2.5mm	9.7 kgs	20 KN
HTB65	Prop 1.74m - 3.20m	Outer tube: OD60.3 x 2.5mm ; Inner tube: OD48.3 x 2.5mm	13.4 kgs	20 KN
HTB75	Prop 2.04m - 3.50m	Outer tube: OD60.3 x 2.5mm ; Inner tube: OD48.3 x 2.5mm	14.6 kgs	18 KN
HTA90	Prop 2.50m - 3.96m	Outer tube: OD60.3 x 2.5mm ; Inner tube: OD48.3 x 2.5mm	16 kgs	18 KN
HTC50	Prop 1.22m - 2.03m	Outer tube: OD60.3 x 3.5mm ; Inner tube: OD48.3 x 3.5mm	12 kgs	22 KN
HTC65	Prop 1.74m - 3.20m	Outer tube: OD60.3 x 3.5mm ; Inner tube: OD48.3 x 3.5mm	17.1 kgs	22 KN
HTC75	Prop 2.04m - 3.50m	Outer tube: OD60.3 x 3.5mm ; Inner tube: OD48.3 x 3.5mm	18.8 kgs	20 KN
HTC90	Prop 2.50m - 3.96m	Outer tube: OD60.3 x 3.5mm ; Inner tube: OD48.3 x 3.5mm	20.6 kgs	20 KN

Note:

1. Surface for choice: electric galvanized / powder coated / hot dip galvanized
2. Other adjustable length available according to requirement, from 0.5-5.5m
3. Other tube diameter is available according to different load capacity requirement.
48mm/40mm, 56mm/48mm, 60mm/48mm, 76mm/63.5mm, 89mm/76mm
4. We can design & manufacture prop according to client's drawing or detail requirement

Formwork Accessories



Tripod

Forkhead



Prop sleeve(outer threaded)



Heavy Duty Prop Nut



Internal threaded sleeve



Prop sleeve(inner threaded)



Base plate(Square type)



Base plate(flower type)



Pin



Link Chain pin

ICF Bracing



MODEL	Description	N.W	1*20' (qty)	1*40' (qty)
Adjustable ICF brace				
ICFB300	Strongback support hight 300cm,	25 kgs / 55 lbs	400 sets	800 sets
	Platform bracket width 64cm , adjustalbe height 30cm x N			
	Load capacity of single platform bracket 136kgs/300lbs			
	Telescopic brace adjustable length 190cm-330cm			
	Aluminum mode:6063-T5, Thickness of Aluminum:2.3mm			